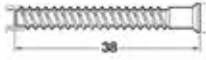


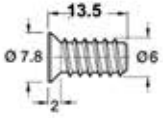


# Three Drawer Unit | Assembly Instructions

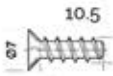
Being humans and not robots, we hope there are no mistakes or errors!



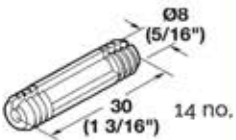
c. screw 56 no.



d. screw 24 no.



v. screw 30 no.



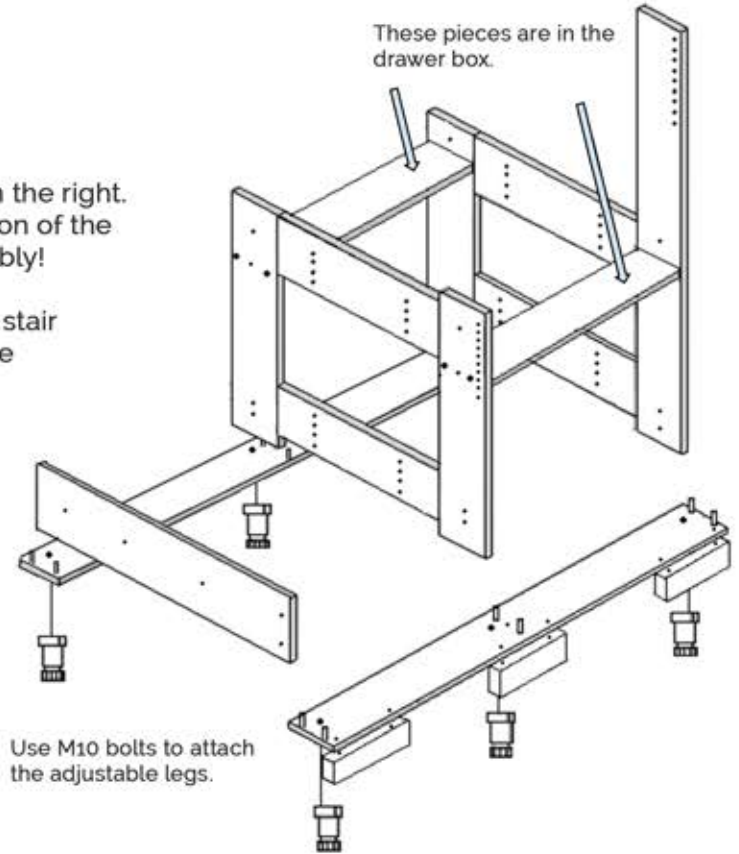
14 no.

## Step One

First, study the diagram shown on the right. It may be worth noting the direction of the stair rise before beginning assembly!

This example shows a right-hand stair rise - it's no big deal though as the gables are interchangeable.

Assemble the unit using plastic dowels and c. screws.



### Wood Screws & Bits:

12 no. 4 x 15mm

10 no. 3.5 x 50mm

20 no. 3.5 x 25mm

6 no. M10 x 30mm bolts

Adhesive pads

3mm tile spacers - (No, there's no tiling involved!)

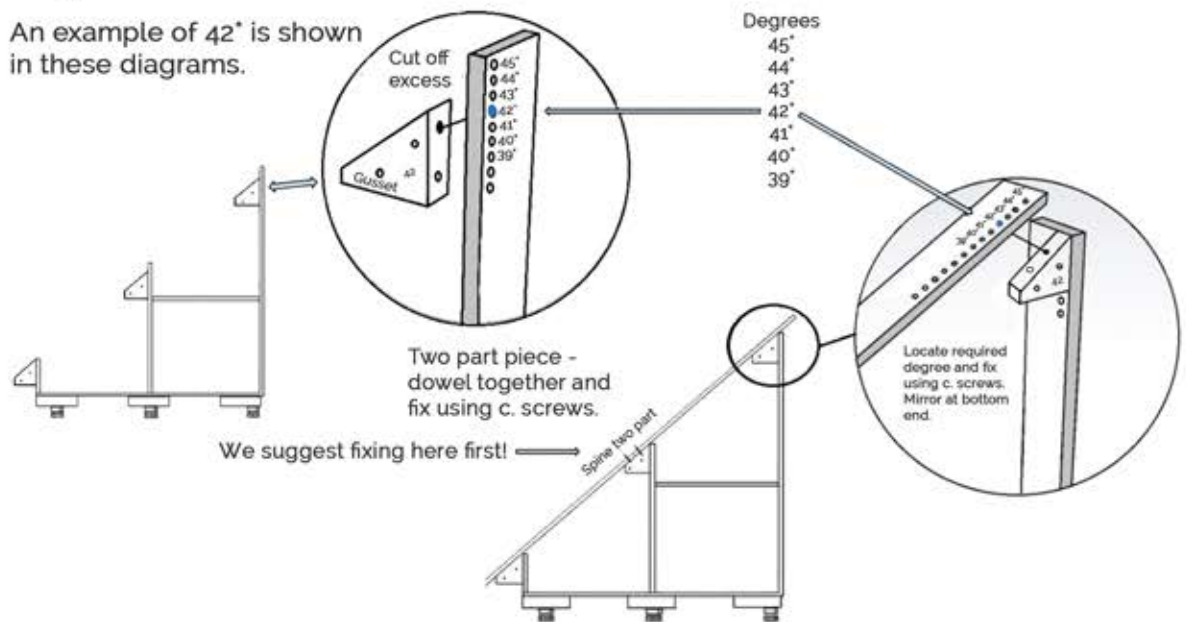
### Tools Required:



## Step Two

Position gusset on gables to required degree and fix using c. screws.

An example of 42° is shown in these diagrams.



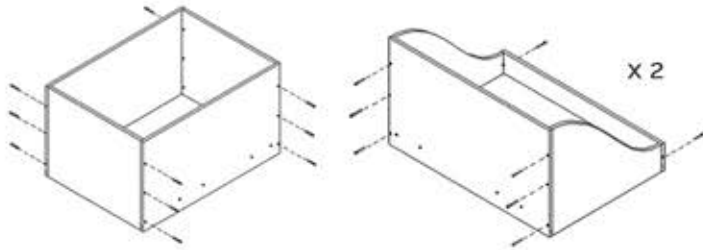
...Smart part done, time to proceed!



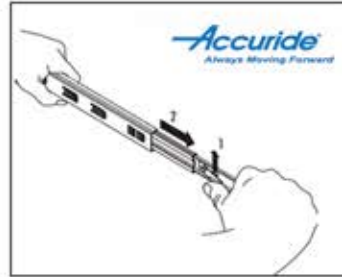
# Three Drawer Unit | Assembly Instructions

## Step Three

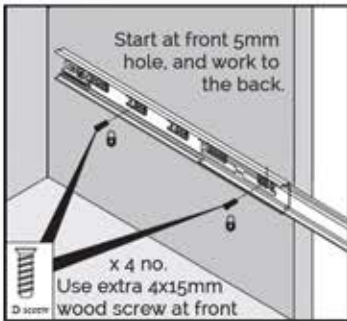
Assemble the drawers using c. screws.



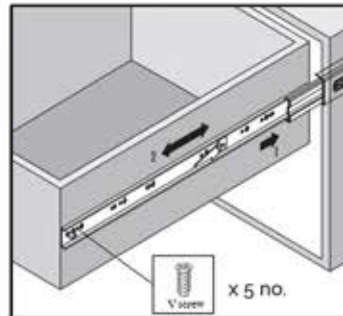
Separate the runners.



Accuride recommend keeping the runners paired. (Good luck with that one!)



Fix the runners to the unit gables. For the bottom two drawers, fix to the lower row of holes on the low side of the unit, and to the higher row of holes on the high side of the unit.

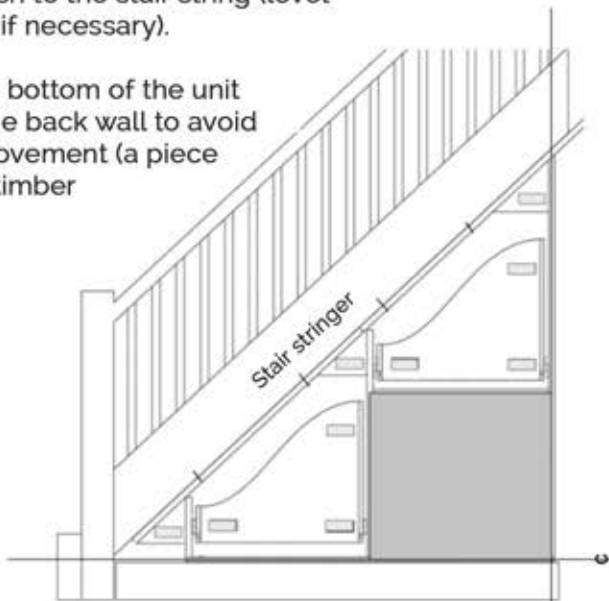


Please note the direction of the curved drawer before positioning the runner. If there's an 'oops' moment, don't worry, as the drawers are reversible!

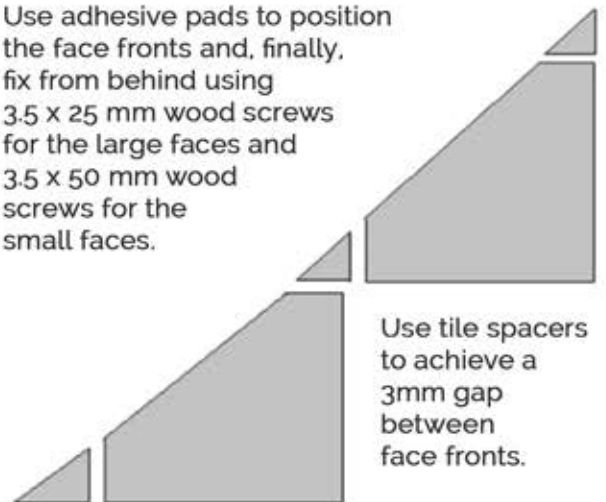
## And Finally...Step Four

Position the unit under the stairs and fasten flush to the stair string (level and pack if necessary).

Brace the bottom of the unit against the back wall to avoid inward movement (a piece of waste timber will do!)



Use adhesive pads to position the face fronts and, finally, fix from behind using 3.5 x 25 mm wood screws for the large faces and 3.5 x 50 mm wood screws for the small faces.



Use tile spacers to achieve a 3mm gap between face fronts.

*P.S. don't forget to stick the 'max 35 kg per drawer' stickers to the drawers. (Make sure they will be clearly seen in case somebody tries to hide a few too many cannonballs in there!)*

When fitting the skirting and architrave use 18mm thickness maintaining a 3mm gap. We suggest fitting the skirting first.

...Well done! 'Clever' enough to show your friends?!

